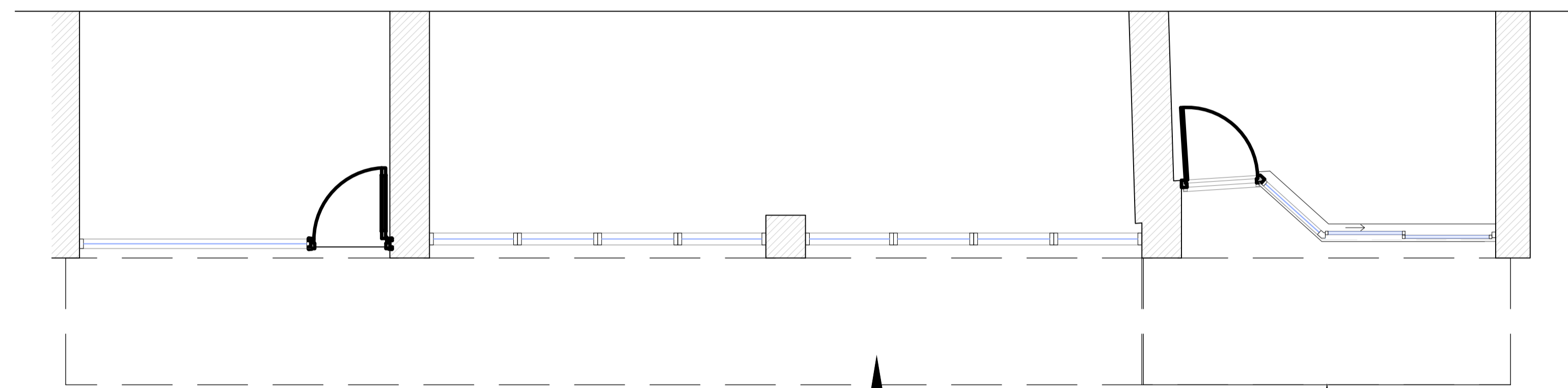
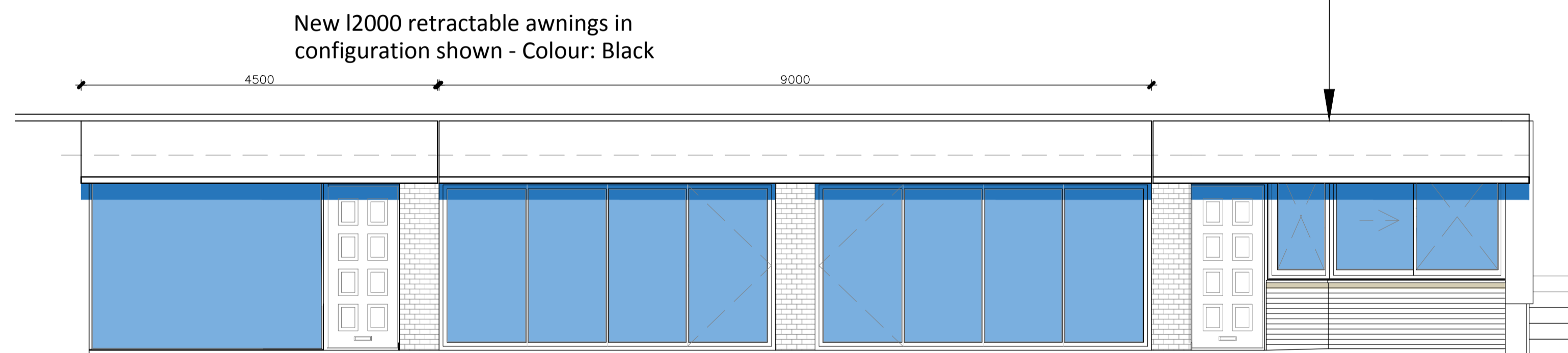


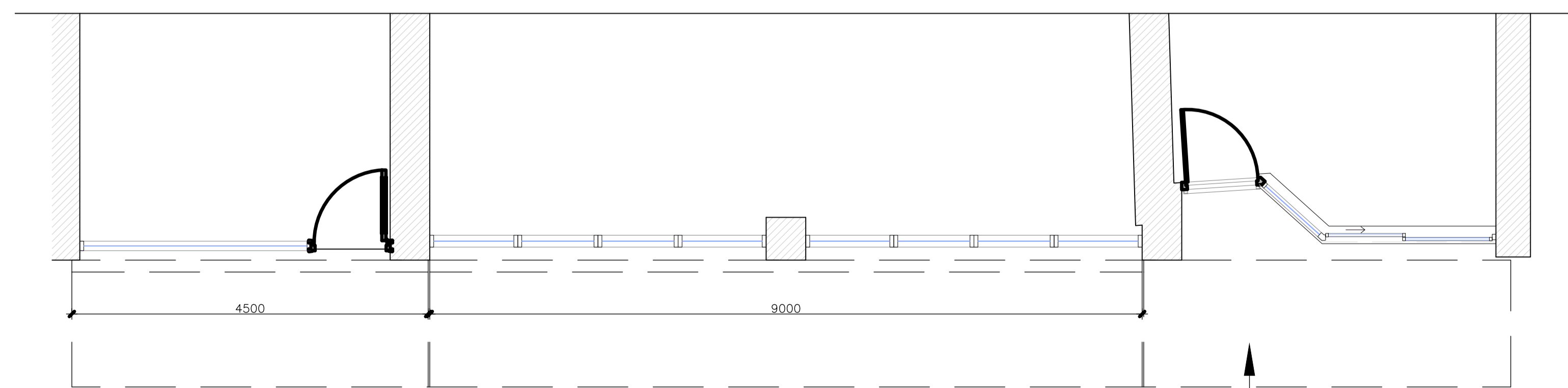
Existing Shop Front Elevation Scale 1:100



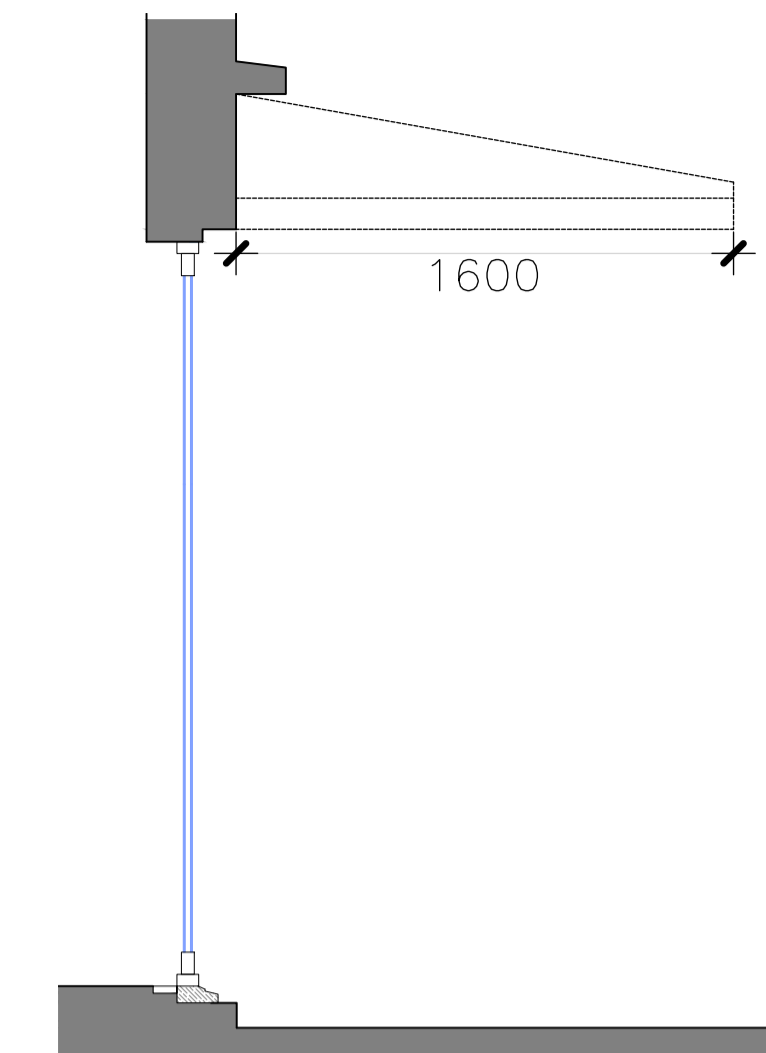
Existing Shop Front Plan Scale 1:100



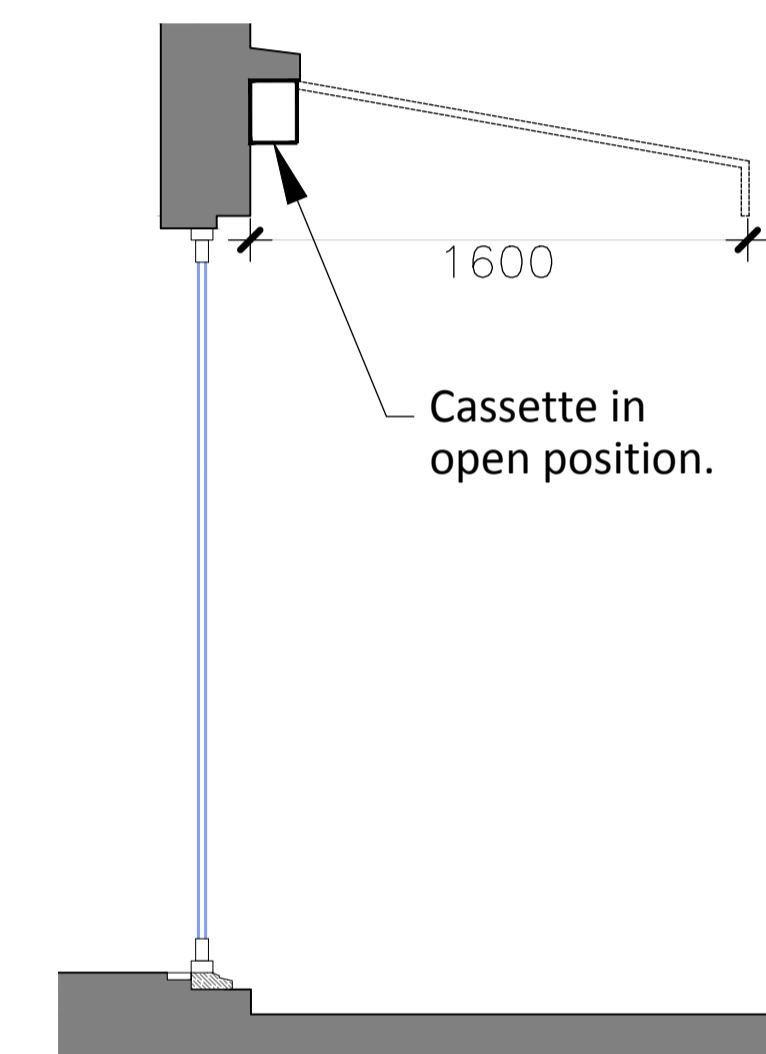
Proposed Shop Front Elevation Scale 1:100



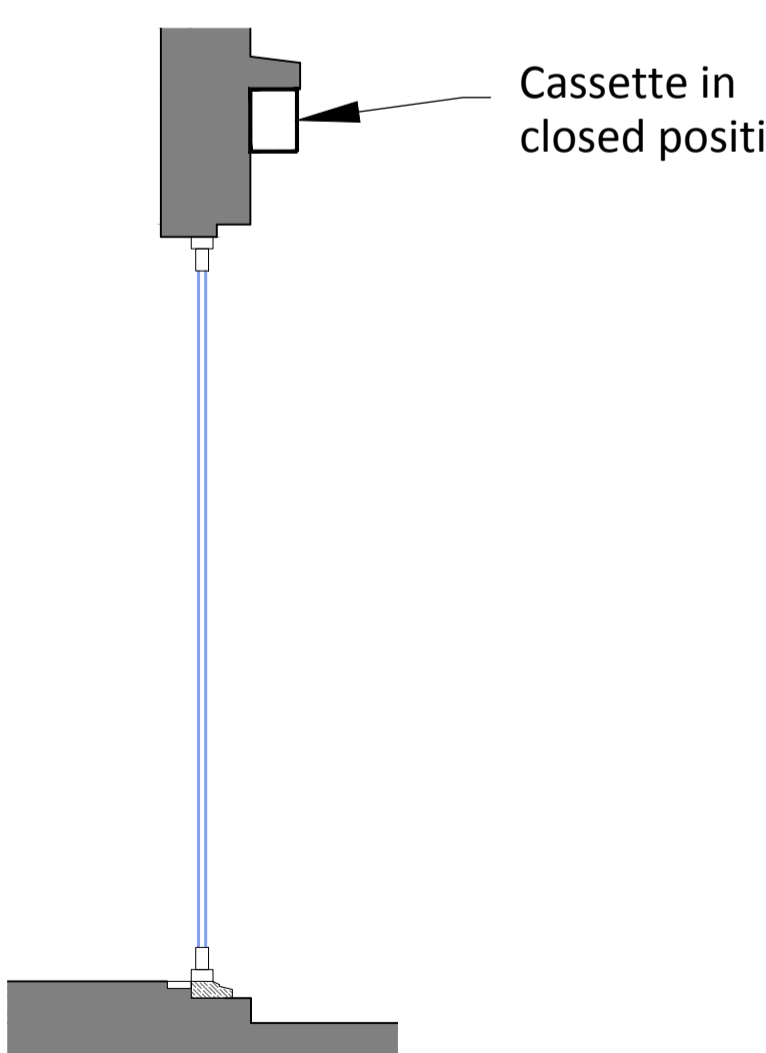
Proposed Shop Front Plan Scale 1:100



Existing Section A-A Scale 1:50



Proposed Section A-A (With cassette in open position) Scale 1:50



Proposed Section A-A (With cassette in closed position) Scale 1:50

REVISION	DATE
----------	------

bhp Chartered Building Surveyors
Chartered Architects
Project Managers
Cost Consultants

No. 1 Le Tricorn, St Peter Port
Guernsey, GY1 1JG
Tel: +44 (0)1481 221122
email: enquiries@bhp.gy

PROJECT
Coco Awning Replacement

TITLE
Proposed Plans, Sections
and Elevations

DRAWING NUMBER	REVISION
G4506 01 01	-

SCALE 1:50 / 1:100	DRAWN BY LO
DATE 14/01/20	