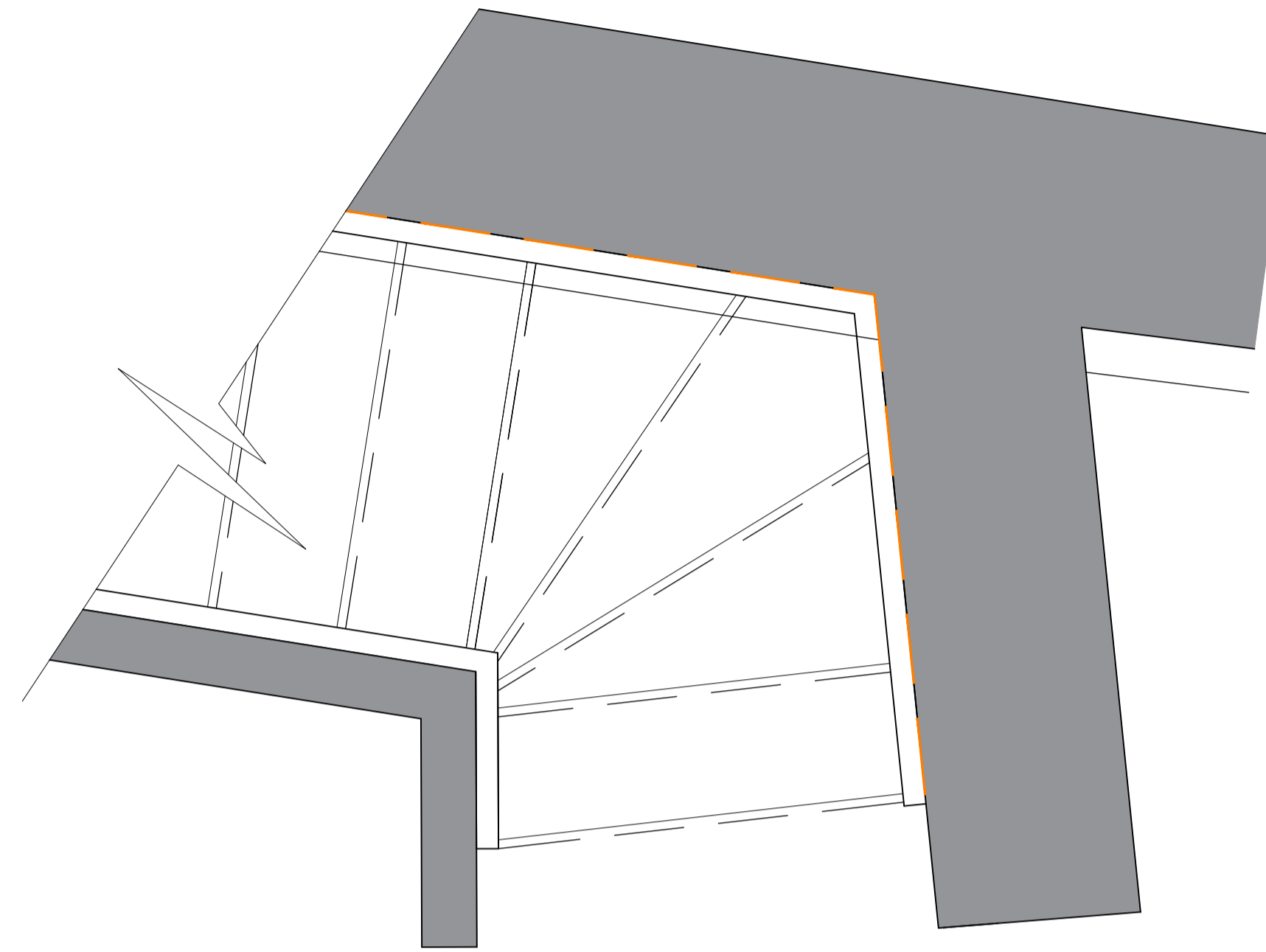


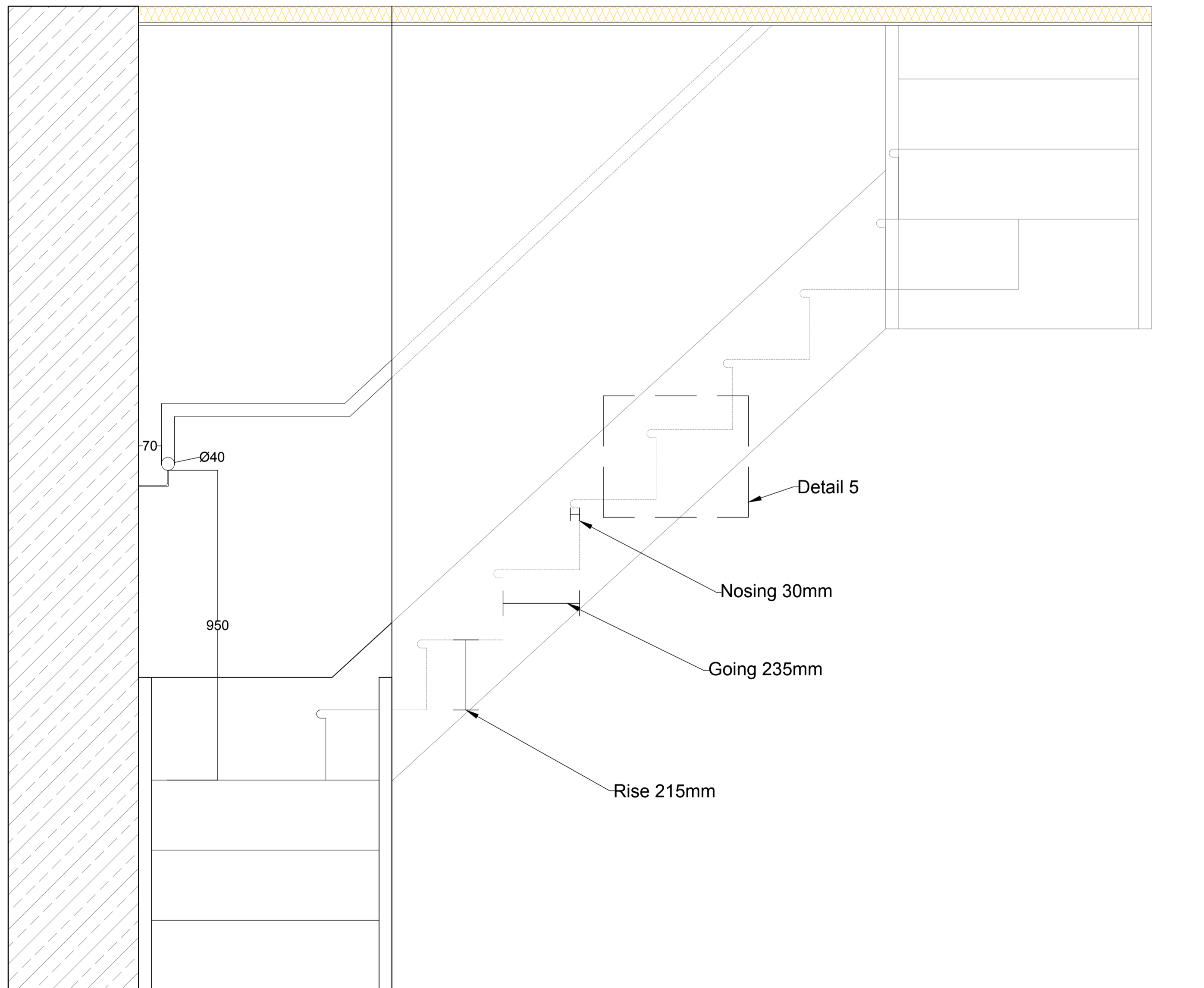
Proposed Ground Floor Stair Plan

SCALE 1:10



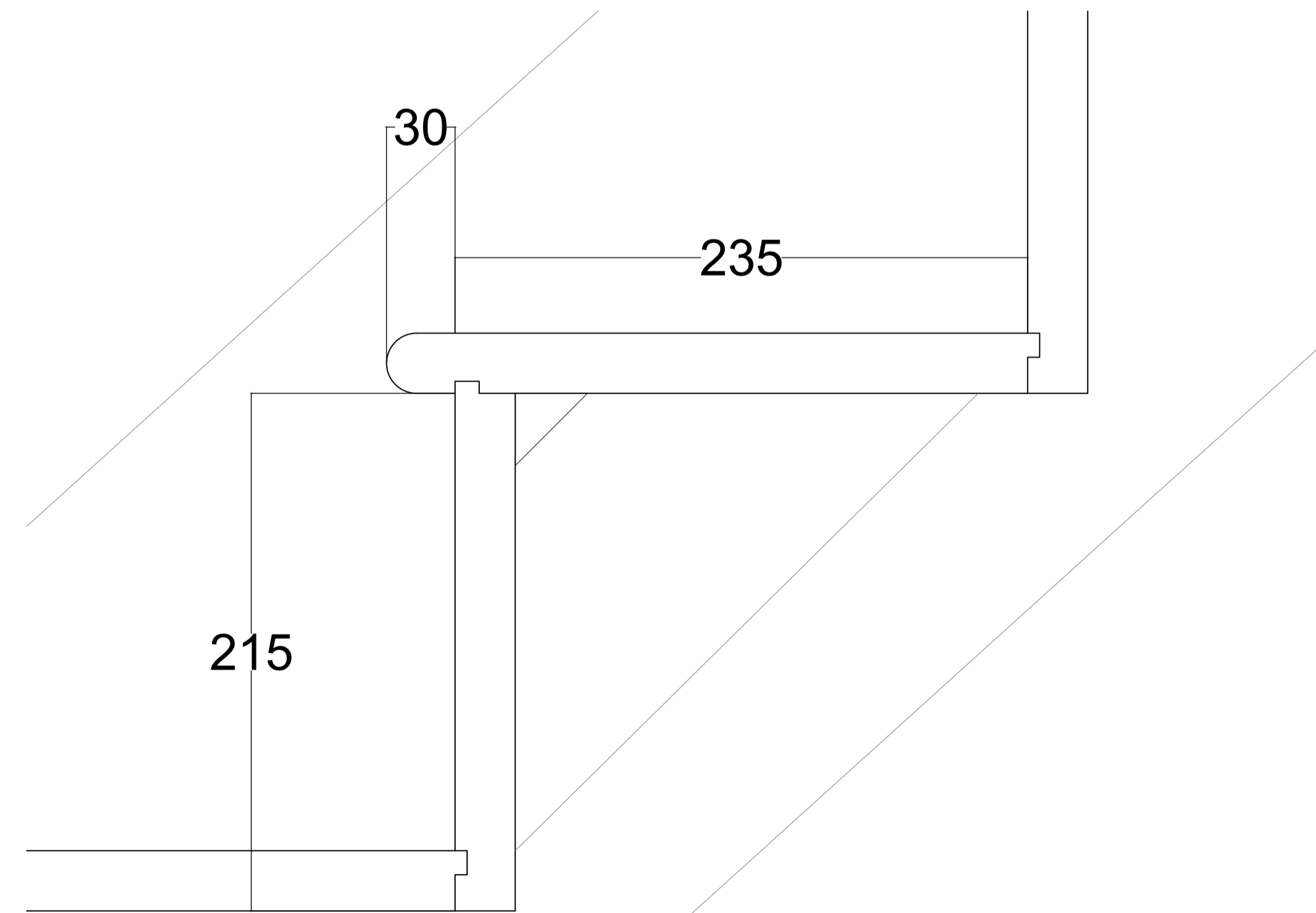
Proposed First Floor Stair Plan

SCALE 1:10



Proposed Stair Projected Elevation

SCALE 1:10



Detail 5

SCALE 1:2