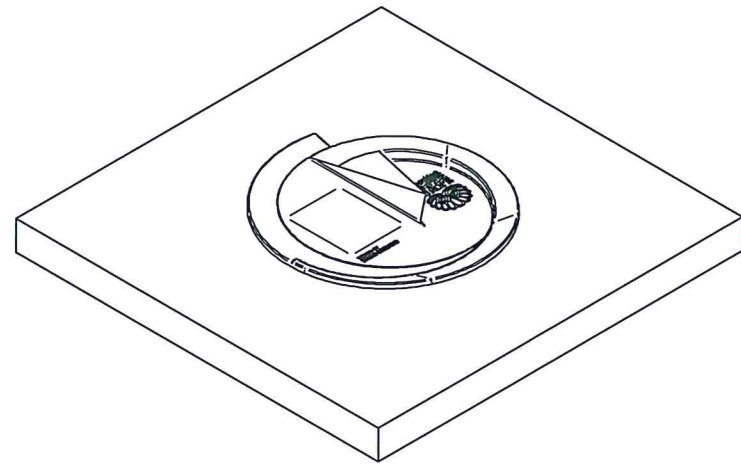
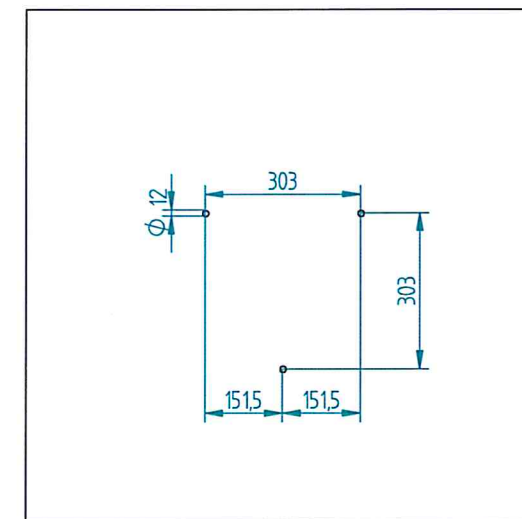
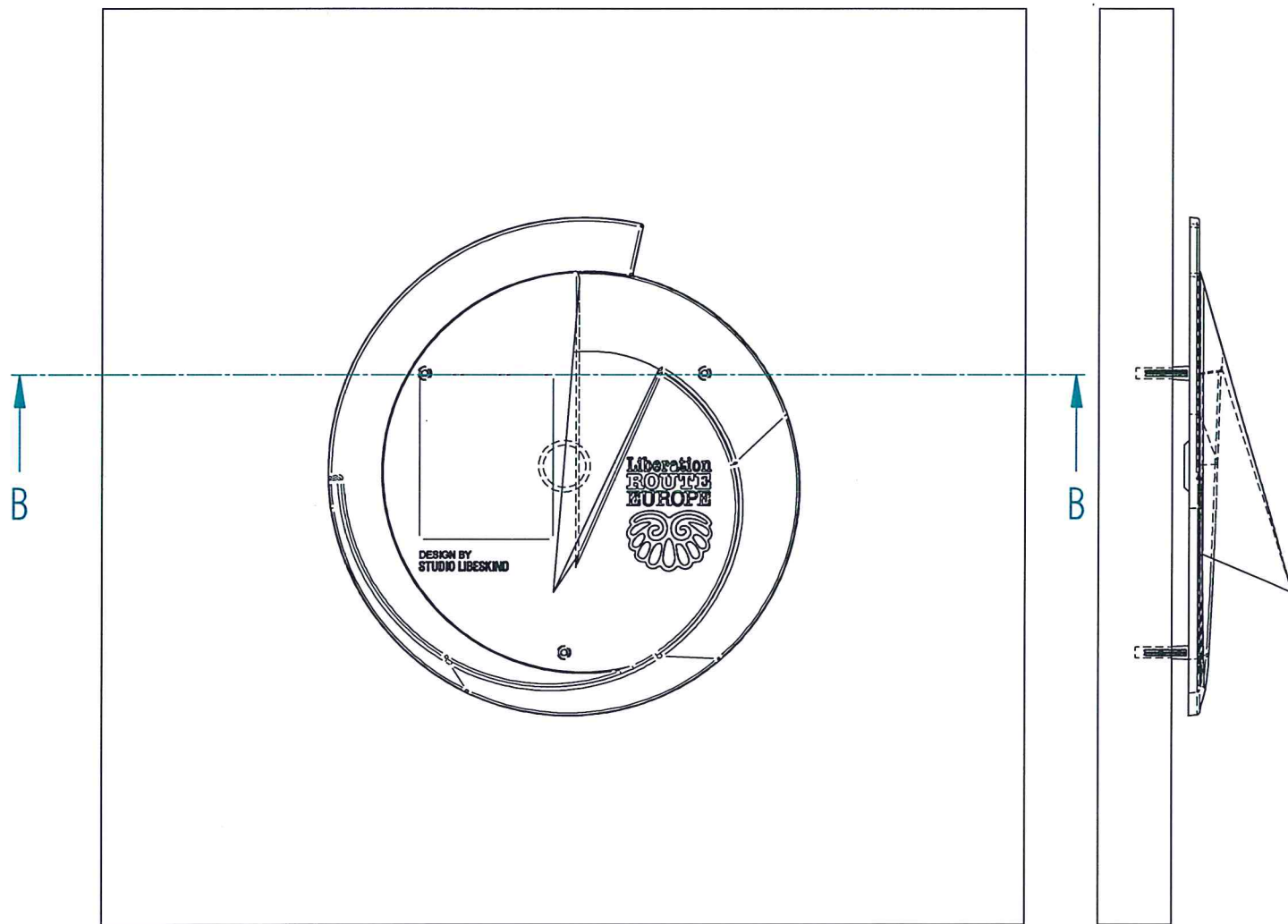


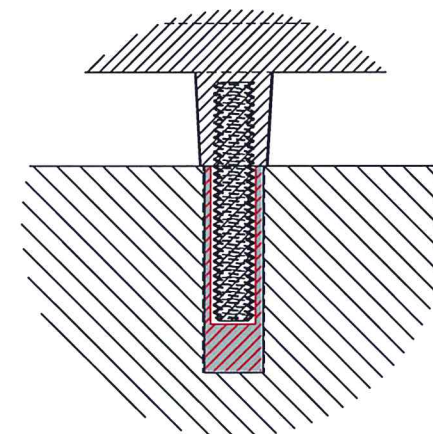
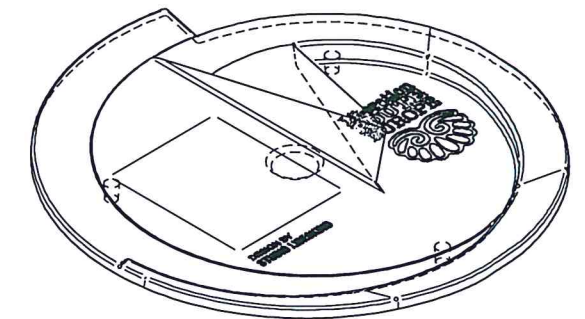
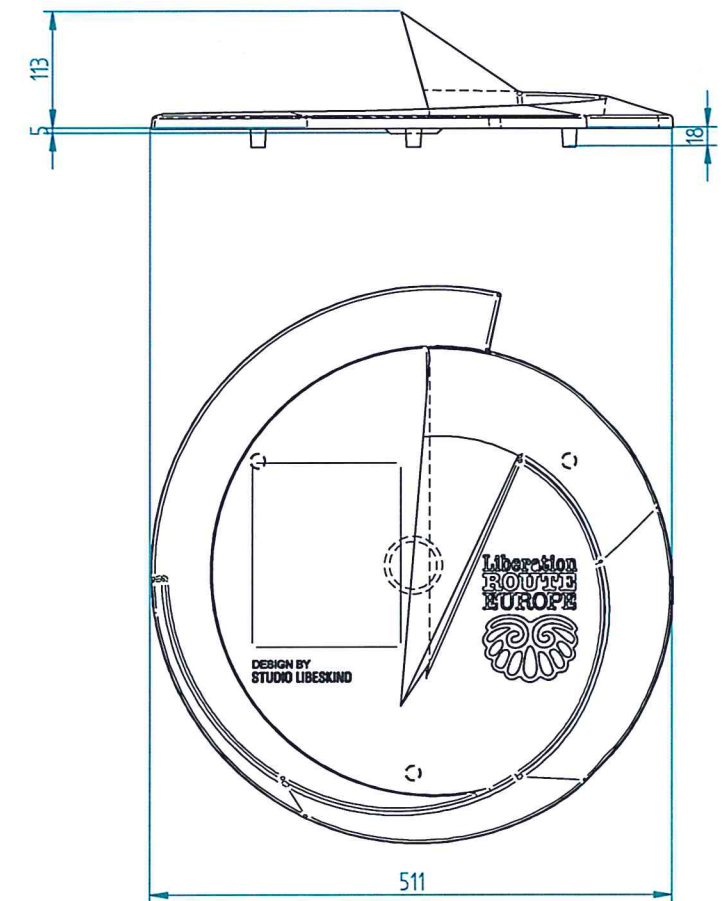
Permanent installation
exterior application



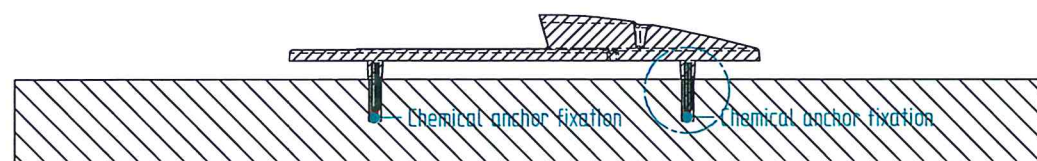
REVISION HISTORY			
REV	DESCRIPTION	DATE	APPROVED



Template pattern



DETAIL D



SECTION B-B

NAME	DATE	AIP PARTNERS	
DRAWN: MIH	10/21/19	TITLE: AF180701 - Wall marker installation manual	
CHECKED:		PROJECT REF: Liberation Route	
ENG APPR:		FILE NAME: Wall Marker Assembly.dft	REV: A
STATUS:		SCALE:	WEIGHT: SHEET 2 OF 2
This document & content remains the property of AIP partners. All rights reserved.			
DIMENSIONS ARE IN MILLIMETERS, UNLESS OTHERWISE SPECIFIED			