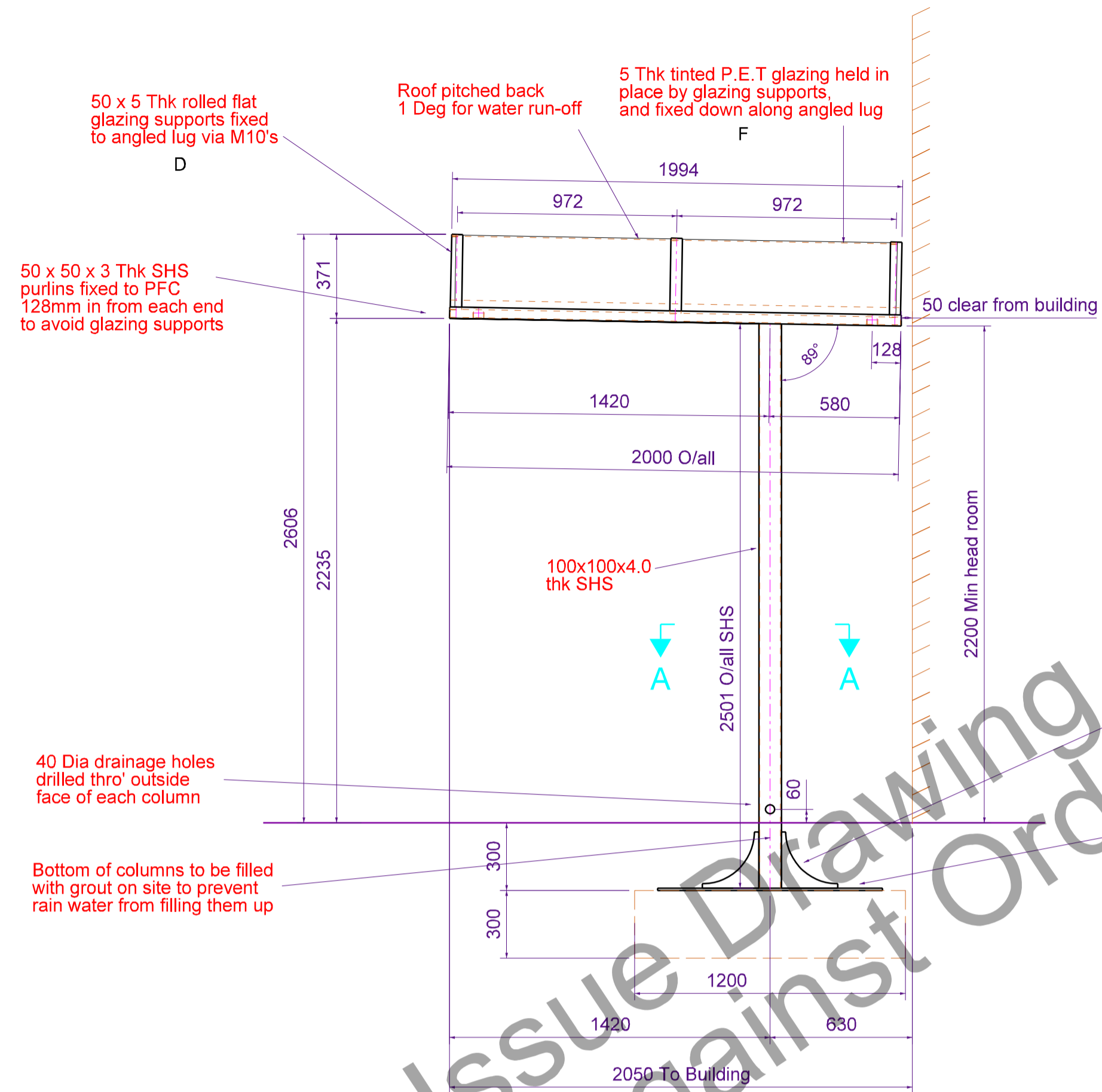
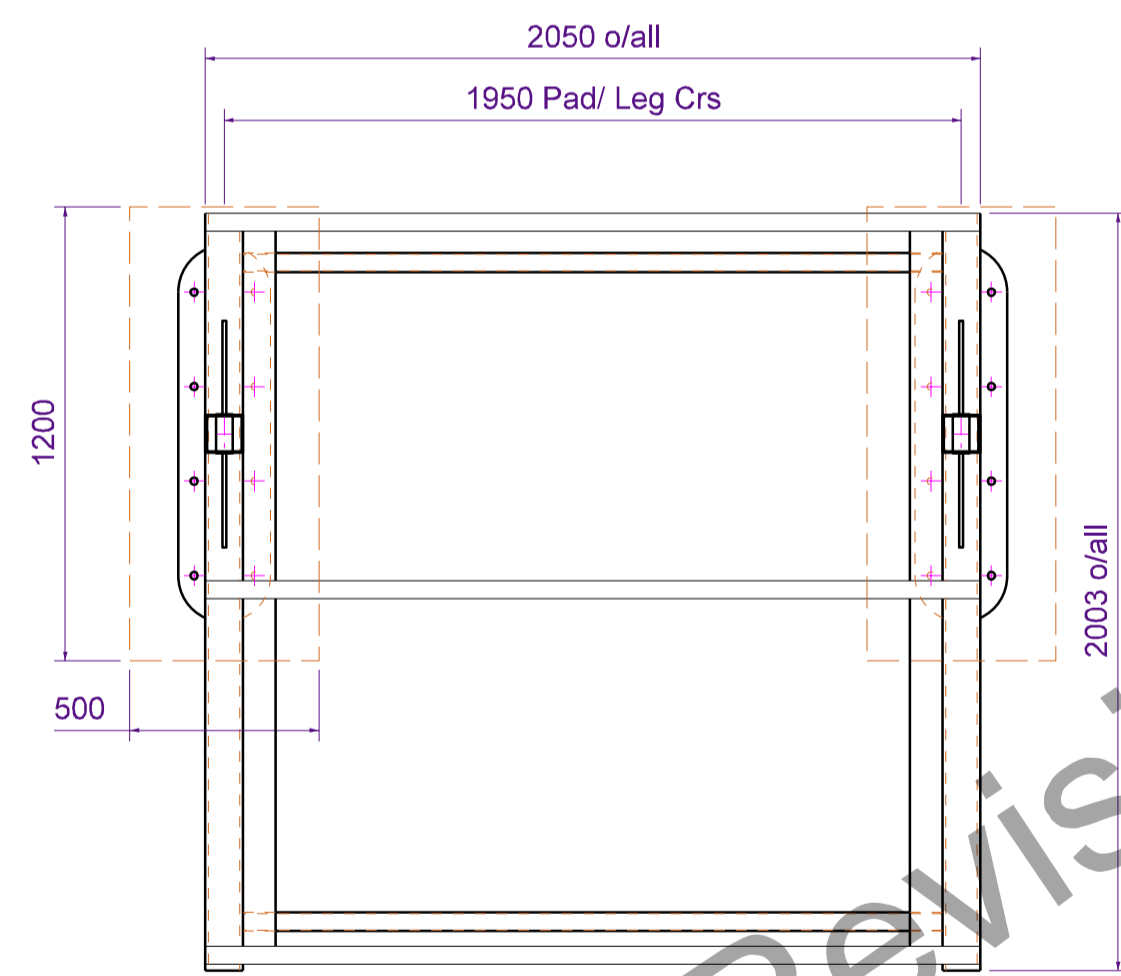


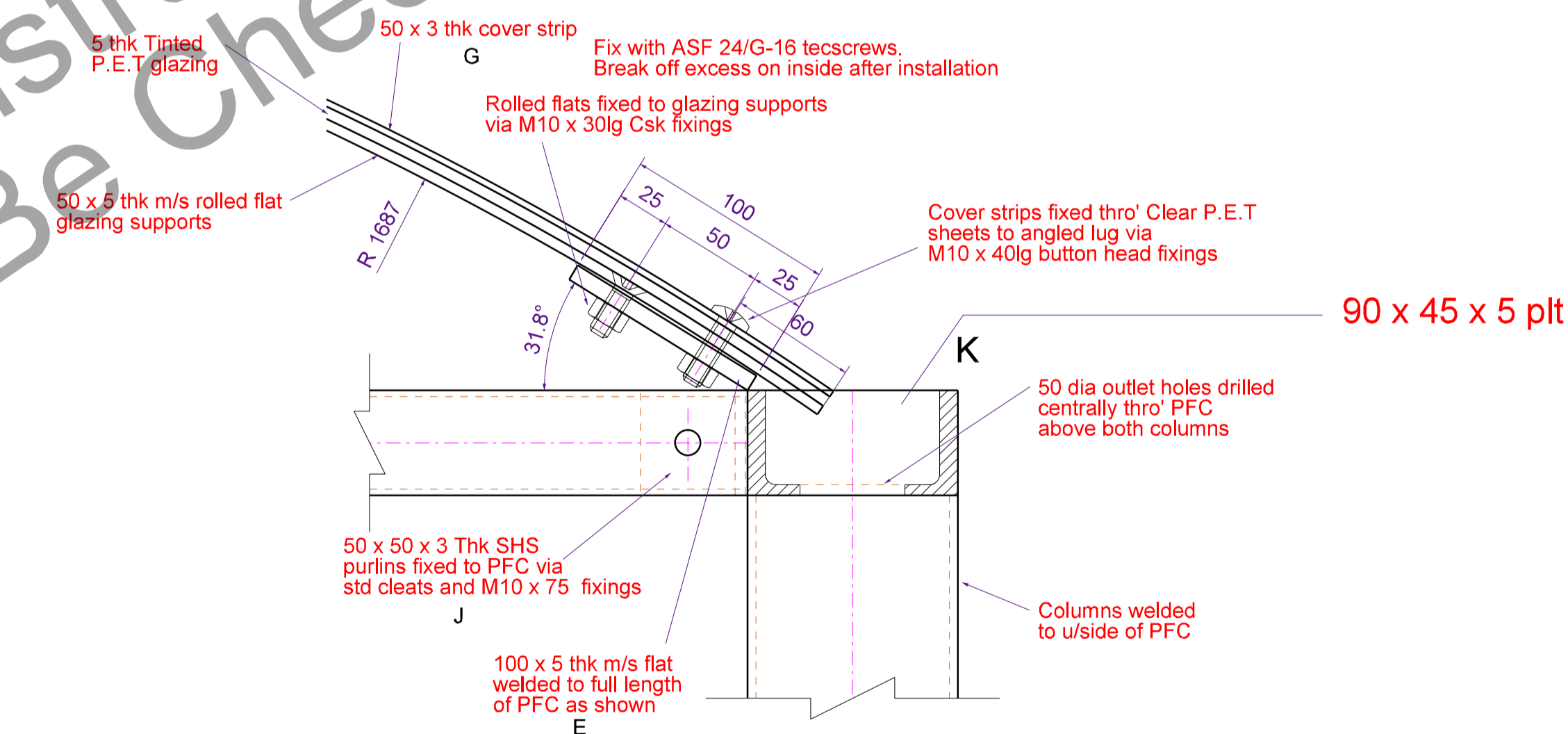
FRONT ELEVATION OF ENTRANCE CANOPY
SCALE 1:20 @ A1



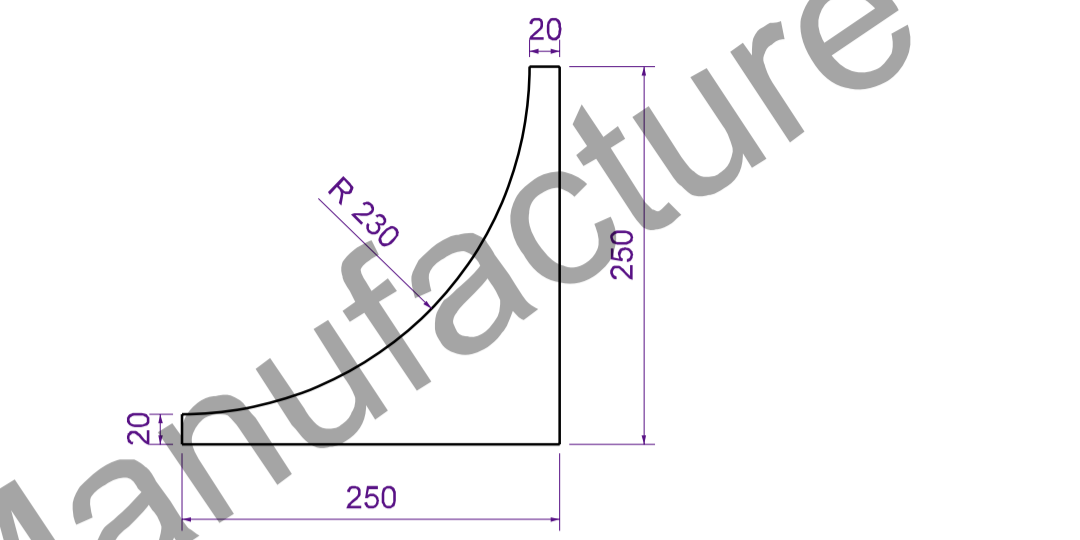
END ELEVATION
SCALE 1:20 @ A1



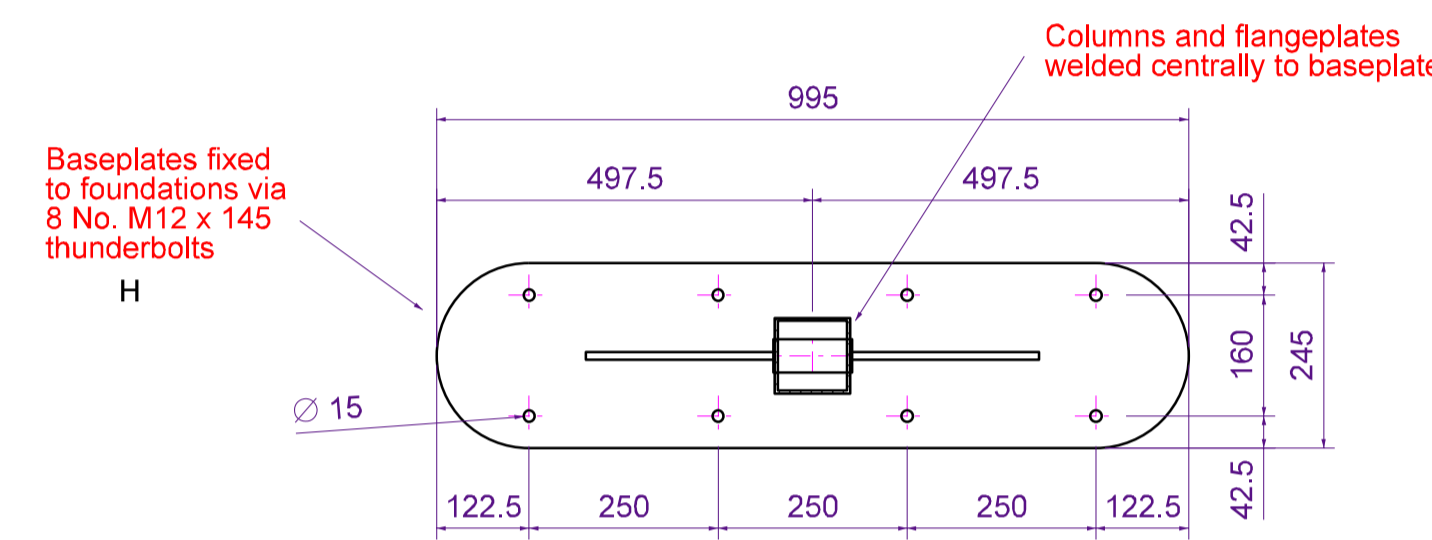
PLAN VIEW
SCALE 1:20 @ A1



GLAZING SUPPORT DETAIL
SCALE 1:2.5 @ A1



10 THK M/S FLANGEPLATE
2No. REQUIRED PER BASEPLATE
SCALE 1:5 @ A1



SECTION A-A
SCALE 1:10 @ A1

PURCHASE CODES

- A BXMW/ENFO/S/001
- B BXMW/ENFO/S/002
- C BXMW/ENFO/S/003
- D BXMW/ENFO/S/004
- E BXMW/ENFO/S/005
- F BXMW/ENFO/C/001
- G BXMW/ENFO/C/002
- H UNV/STD/BP/005
- I UNV/STD/G/002
- J UNV/STD/S/003
- K BXMW/ENFO/S/006

BROXAP
Design and Head Office, Rowhurst Industrial Estate, Chesterton, Newcastle-under-Lyme, Staffordshire ST5 6BD.
Tel : (01782) 564411
Fax : (01782) 566530 / 565357

Mawr & b
All divisions of Broxap Limited
E-mail : Tom.Elliott@broxap.com
E-mail : Eddie.Stephenson@broxap.com
E-mail : Adam.Christie@broxap.com

Project **STANDARD PRODUCTS**

Sheet title **2050 WIDE ENTRANCE FOYER SHELTER**

Drwg No. **BXMW / ENFO / 1.00 [D]**

scale **1:20 @ A1**

date **28/09/06**

drawn **A. KERR**

chkd **-**

DO NOT SCALE
ALL DIMENSIONS ARE TO BE CHECKED ON SITE WITH ALLOWANCES FOR VARIATIONS DUE TO NORMAL MANUFACTURING TOLERANCES.
DRAWING ERRORS OR OMISSIONS ARE TO BE REPORTED AND CHECKED WITH DESIGN OFFICE.
NONE OF THE WORK CONTENT SHOWN IN THIS DRAWING FOR ANY COMPANY MAY PROCEED UNTIL APPROVED COPIES ARE DISTRIBUTED AND CLEARLY MARKED 'ISSUED FOR CONSTRUCTION'.
THIS DRAWING IS COPYRIGHT AND NO PORTION SHOULD BE COPIED OR REPRODUCED WITHOUT THE CONSENT OF BROXAP LIMITED.

No.	revision	date	by	check by
[A]	>	>	>	>
[B]	Glazing supports altered to suit 1No. 2050 wide PET sheet, width reduced to 2000mm	28/09/06	AK	>
[C]	2003 WAS 2200	11/01/10	DW	>
[D]	baseplate holes changed	08/08/11	P.L	R.H
[E]	>	>	>	>
[F]	>	>	>	>

directory path **F:\Broxap Mawrob\1. Std Products\1. Shelters\BX-MW-ENFO Entrance Foyer**

job no **>**