

MUB/T 062 630D4 IE3

Centrifugal box fan, 120°C continuous, insulated

Item Number: 87951

Variant: 400V 3~ 50Hz

Up to 120°C medium temperature, continuous operation

Multi-functional use, e.g. for kitchen exhaust air

Modular system

Pre-assembled isolator is standard

Low sound level

Easy to maintain and reliable

High efficient IE3 motors

Speed-controllable via frequency converter

Motor outside the air stream

All MUB/T fans have impellers with backward curved blades, manufactured from aluminium, and IEC standard motors outside the air stream with efficiency class IE3 for all 400V three phase motors from 0.75 kW. The MUB/T fans are suitable for medium temperatures up to 120°C continuously. Motor protection by cold conductors or thermal contact, to be connected to an external motor protection device.

The casing consists of an aluminium frame with fibreglass reinforced plastic corners and double skin, galvanised steel panels with a 20 mm mineral wool insulation. Panels are removable, allowing flexible ventilation solutions - the air direction can easily be changed. With quick lock access door. The MUB bottom panel is shaped as a condensate tray and incorporates a pre-mounted 1" drain plug. An isolator switch is mounted on the casing.

Several filter modules like f.e. activated carbon- or aluminum filters are available, calculated individually on the working point.



Technical parameters

Nominal data		
Voltage (Nominal)	400	V
Frequency	50	Hz
Phase(s)	3~	
Input power	4,223	W
Input current	7.25	A
Impeller speed	1,465	r.p.m.
Air flow	max 4.073	m ³ /s
Temperature of transported air	max 120	°C
Max temperature of transported air, when speed controlled	120	°C
Sound data		
Sound pressure level at 3m (20m ² Sabin)	67	dB(A)
Protection/Classification		
Enclosure class, motor	IP55	
Insulation class	F	

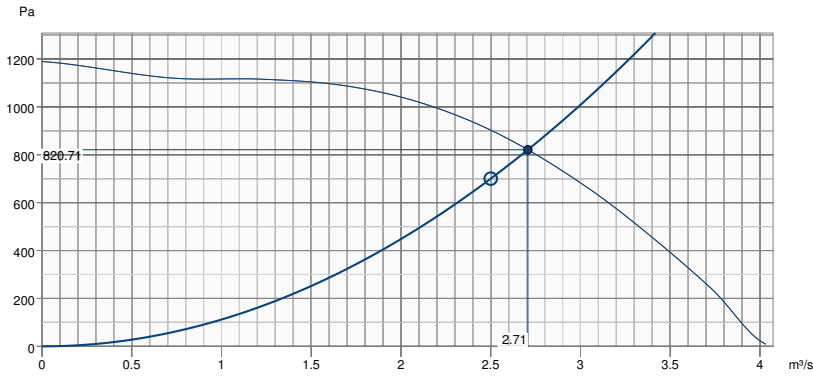
Dimensions and weights

Weight 107.2 kg

Others

Motor type AC

Performance curve

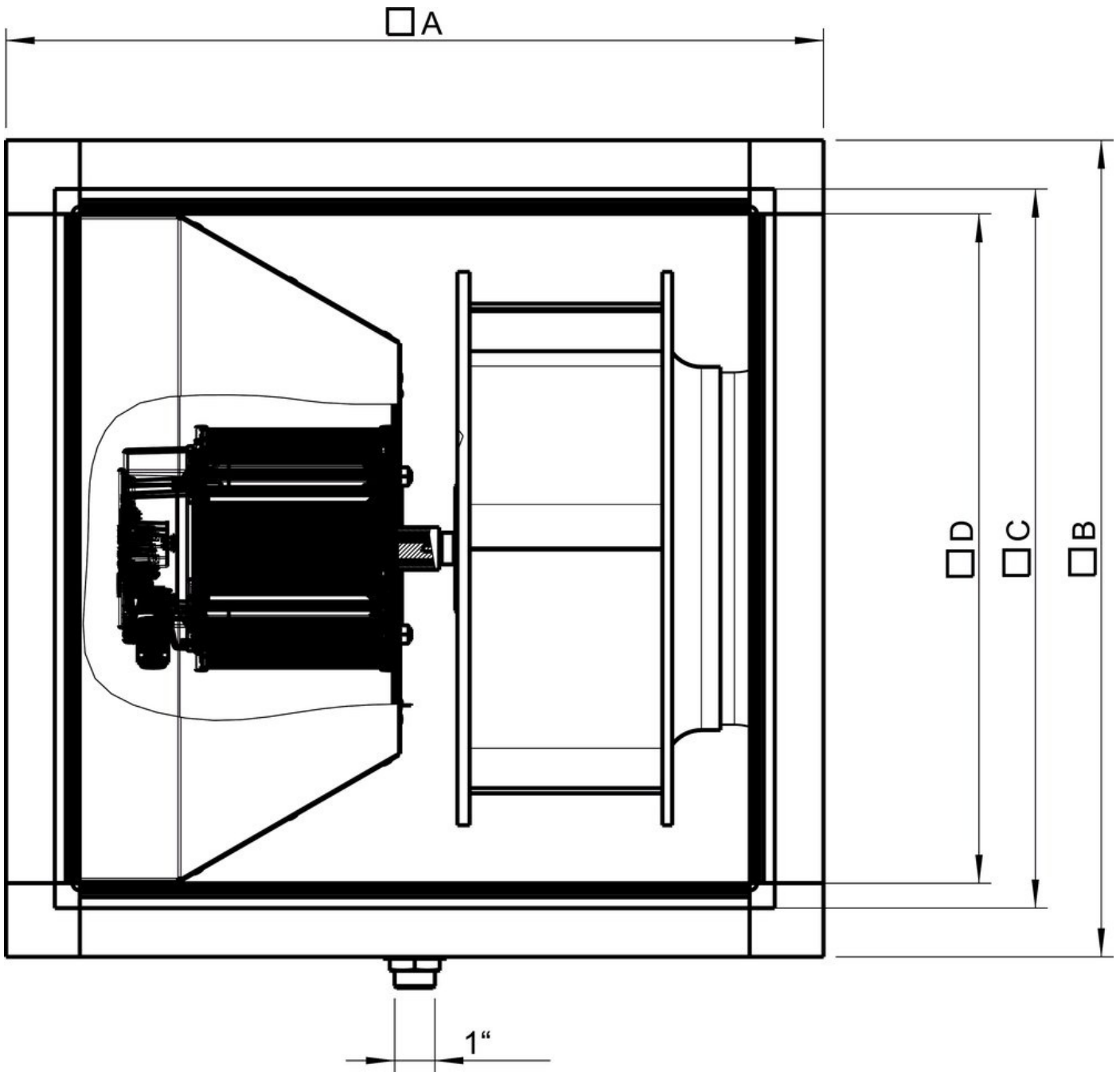


Hydraulic data

Required air flow	2.50 m³/s
Required static pressure	700 Pa
Working air flow	2.71 m³/s
Working static pressure	821 Pa
Air density	1.204 kg/m³
Power	4491.3 W
Fan control - RPM	1464 rpm
Current	7.60 A
SFP	1.659 kW/m³/s
Control voltage	400.0 V
Supply voltage	400 V

Sound power level		63	125	250	500	1k	2k	4k	8k	Total
Inlet	dB(A)	57	80	78	82	82	77	74	66	88
Outlet	dB(A)	59	82	79	83	84	79	75	68	89
Surrounding	dB(A)	54	72	68	67	63	63	63	53	75
Sound pressure level at 3m (20m ² Sabine)	dB(A)	-	-	-	-	-	-	-	-	68
Sound pressure level at 3m free field	dB(A)	-	-	-	-	-	-	-	-	54

Dimension



	□A	□B	□C	□D
MUB/T 062 630	800	800	720	678